

# **Therm-Line™**

## **Expansion Joint**

---



**Coupling Style**  
2"-10" sizes

**Flanged Style**  
All sizes

---

### **All Steel Series 389**

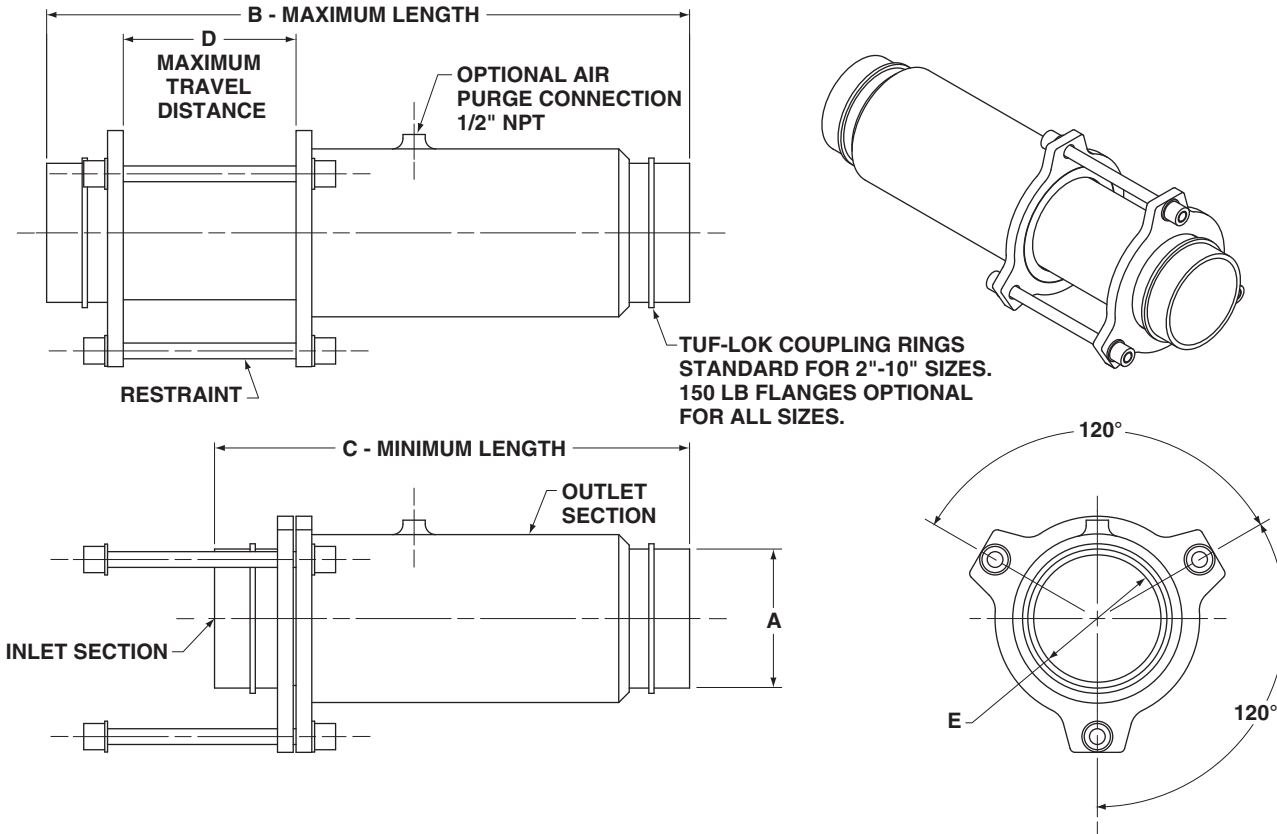
The Therm-Line all steel expansion joint by Tuf-Lok International has special design features to minimize pressure drop and buildup as a result of excessive leading edges, as it compensates for temperature expansion. The smooth internal bore allows liquids, solids, liquid with solids or slurries to flow smoothly and easily through the expansion joint without obstruction. In addition, the Therm-Line expansion joint has a low coefficient of friction, resulting in low pressure drops and reduced energy losses.

Therm-Line expansion joints are available in all mild steel or stainless steel construction in 2 inch through 16 inch pipe sizes with a pressure rating of 150 PSIG. The Series 389 Model 15 expansion joint withstands temperatures up to 400° F (204° C) using standard fluoroelastomer seals. For higher temperature applications up to 650° F (343° C), the Series 389 Model 8 is available in a high temperature packing gland design.

### **Features**

- All steel construction
- Low pressure drop
- Handles liquids, solids and liquids with solids
- Smooth internal bore
- Temperatures up to 650° F (343° C)
- Reduced energy losses
- Rugged construction

# Therm-Line Expansion Joint Dimensions & Specifications



Nominal Pipe Size Inches (mm)	Dimensions - Inches (millimeters)				
	A Outside Diameter	B Maximum Length	C Minimum Length	D Travel Distance	E Inside Diameter
2 (51)	2.375 (60)	30.75 (781)	22.75 (578)	8 (203)	2.07 (53)
3 (76)	3.500 (89)	30.75 (781)	22.75 (578)	8 (203)	3.07 (78)
4 (102)	4.500 (114)	30.75 (781)	22.75 (578)	8 (203)	4.03 (102)
5 (127)	5.562 (141)	30.75 (781)	22.75 (578)	8 (203)	5.05 (128)
6 (152)	6.625 (168)	30.75 (781)	22.75 (578)	8 (203)	6.07 (154)
8 (203)	8.625 (219)	30.75 (781)	22.75 (578)	8 (203)	8.00 (203)
10 (254)	10.750 (273)	35.00 (889)	27.00 (686)	8 (203)	10.02 (255)
12 (305)	12.750 (324)	35.00 (889)	27.00 (686)	8 (203)	12.00 (305)
14 (356)	14.000 (356)	35.00 (889)	27.00 (686)	8 (203)	13.25 (337)
16 (406)	16.000 (406)	35.00 (889)	27.00 (686)	8 (203)	15.25 (387)

Custom sizes, lengths, and inside diameters available.

Specifications subject to change without notice.

Bulletin 040209-4 (dm)

**TUF-LOK International**

Madison, Wisconsin USA

Phone: 608.270.9478

Fax: 608.270.2080

[www.tuflok.com](http://www.tuflok.com)

**TUF-LOK UK**

Aylesbury, UK

Phone: +44 (0) 1706 822512

Email: [sales@tuflok.co.uk](mailto:sales@tuflok.co.uk)

**TUF-LOK<sup>®</sup>**  
**International**